

# Crane 600Nm WrenchLoader

- The WrenchLoader from Crane provides an accurate method for the testing & calibration of torque wrenches
- A cost effective system that helps provide accurate results
- Designed to fit most torque wrenches including the IQWrench2 and WrenchStar Multi from Crane
- Can cater for torque wrenches up to a 600Nm torque value
- Compatible with our range of torque transducers
- Manufactured in the US with high quality materials
- A robust and sturdy torque wrench loader
- Easy to use, trouble-free operation



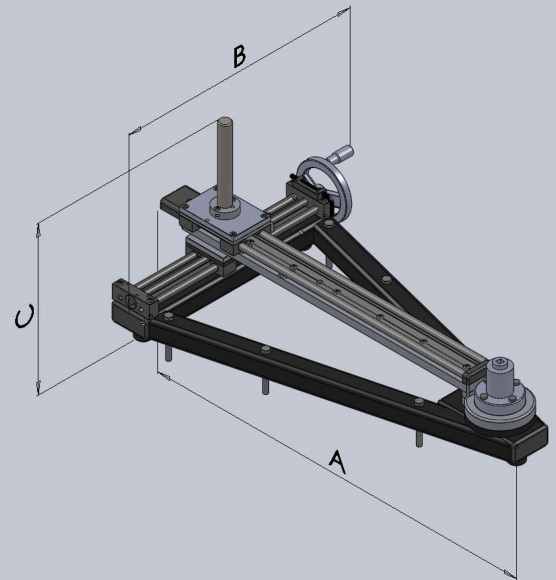
**Crane Electronics Inc**  
1260 11th Street West  
Milan, Illinois 61264  
USA  
Tel: +1 309-787-1263  
[www.crane-electronics.com](http://www.crane-electronics.com)

Watling Drive  
Sketchley Meadows  
Hinckley LE10 3EY  
Tel: +44(0) 1455 25 14 88  
[www.crane-electronics.com](http://www.crane-electronics.com)



**WrenchLoader Dimensions & Weights:**

	A (mm)	B (mm)	C (mm)	Weight (kg)
With extension	1354	615	414	29
Without extension	994	615	414	26.5



The WrenchLoader is designed to be mainly maintenance free.

Before use, ensure that the load arm travels freely and smoothly. The plate surface (pictured below) should be greased every 3 months, with K48 Lithium Molybdenum Disulphide grease.

Please note that the carriage slide and lead screw assemblies do not need lubricating.

Sales Code	Range
WLFXX-0600-CRINXX	600Nm ISO WRENCHLOADER (no extension)
WLFXX-0600-CRIEXX	600Nm ISO WRENCHLOADER (with extension)
TJWLX-0600-CRIXXX	tJRS ISO WRENCHLOADER

- ✓ The WrenchLoader works by simulating the conditions of a particular torque application, which allows the user to test torque wrenches by measuring the torque applied, via a transducer, allowing the wrench to be calibrated with confidence.
- ✓ The WrenchLoader allows for quick and simple calibration of digital torque wrenches and the easy to use system removes the risk of human error and inaccurate readings during the calibration process.
- ✓ The flexible design of the WrenchLoader allows for the testing and calibrating of various torque wrench lengths and types.



WrenchLoader plate surface which ensures smooth, accurate and reliable calibration

For more information or for a quote, call +1 309-787-1263 or email [salesusa@crane-electronics.com](mailto:salesusa@crane-electronics.com).

## Crane, the force in torque management

**Crane Electronics Inc**  
1260 11th Street West  
Milan, Illinois 61264  
USA  
Tel: +1 309-787-1263  
[www.crane-electronics.com](http://www.crane-electronics.com)

**Crane Electronics Ltd**  
Watling Drive  
Sketchley Meadows  
Hinckley LE10 3EY  
Tel: +44(0) 1455 25 14 88  
[www.crane-electronics.com](http://www.crane-electronics.com)

